

Product Overview



BG-2812US3(W)
Spec Sheet



Our **BG-2812US3(W) DMXPRO** Controller, is an **architectural grade** DMX512 & RDM glass touch panel controller capable of supporting universal DMX protocols. Made with high strength and high quality materials, our glass touch panel LED controller is a high quality solution for colored lighting controls. With an **ultra-sensitive** color touch wheel, this controller allows one to **smoothly and accurately** dim and select colors of up to 3 zones of LED lights independently or in unison, without having to worry about losing the configuration when powered off. Conveniently send DMX signal to a DMX Decoder using the easy screw-in wire terminals. Our **DMXPRO** 3-Zone RGB Controller offers unmatched versatility and premium quality to achieve vivid color changing lighting projects with customized controls.

Quick Specs

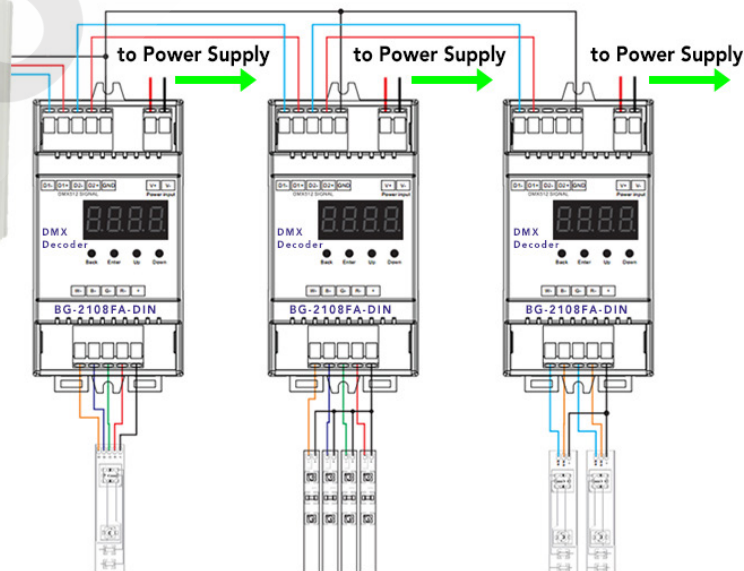
Product Code	BG-2812US3(W)
Dimensions	4.7" L 2.9" W 1.6" H
Wiring Terminals	Screw-in
Input Voltage	12-24VDC
Channels	Up to 4 Channels
Zones	Up to 3 Zones
Warranty	3-Year Limited Warranty
Environment	Indoor/Damp Location
Listings	UL Recognized Component

Features

- **High-Quality** Glass Finish
- **3-Zone** Controller
- **Smooth Dimming**
- **Compatible with** RGB, and RGB+W Lighting
- Set Linear or Logarithmic Dimming
- **RF Functionality** allows for use with remote

BG-2812
DMX Controller

Wiring Diagram



GlowbackLED®
16409 NW 8th Ave
Miami Gardens, FL 33169
1-800-679-4902 • info@bluegateinc.com

GlowbackLED® is a registered trademark of Bluegate Inc
©2018 Bluegate Inc. All Rights Reserved
Specifications subject to change without notice

